

TESLA – ELECTRIC - SINK

Prof.(em) Alfred Evert

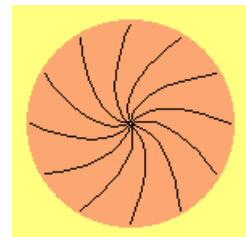
At the website www.evert.de, I have been recording my research in various fields for decades. Initially, I analyzed the movements of particles in fluid flows or the movement of bodies in the fluid. For some phenomena, I was able to provide new insights as well as useful design proposals.

Aether physics and philosophy

My main concern was then to research the background of all existence. There is a well-known narrative all over the world: All is One. My 'revolutionary' approach was to accept this statement as a physical fact: there is really only one 'material' substance. This aether does not consist of separate particles, but is rather a single whole. Only this one continuum of consistently equal density exists in the universe.

All other occurrences exist only as special motion pattern of aether within aether. Just as the motion structure of light is passed forward through the aether, the entire motion structure of the earth, for example, drifts through the (largely stationary) aether. There are no 'solid particles' flying through space, so the well-known dilemma of the light aether is obsolete. Actions in a particle world cannot take place without loss. Only in the continuum of this aether definition can the supreme physics principle of energy constancy apply.

In this gapless plasma, movements are difficult to imagine. In contrast to the movements of the fluid particles above, all movements here must be balanced within themselves. Many experiments were necessary to find just a first acceptable pattern. The simplest and perfect form is the electron, which shows the same simultaneous movement when viewed from all sides. In fact, however, an infinite number of structures are possible - as diverse as there are many phenomena (material/physical as well as mental/spiritual).



Free and Bound Aether

I call vortex systems with an ordered and balanced structure Bounded Aether. In contrast, the Free Aether is characterized by the superimposition of all kinds of radiations. This chaos of movements exerts the general Aether Pressure on the ordered structures of the Bounded Aether. For example, they compress the atoms into a spherical shape. Surprisingly, only these few chemical elements are stable enough. On the other hand, larger units are held together by a transition zone, so that all more complex structures are surrounded by an aura.

I have applied the above approach to about a hundred physical phenomena and found useful explanations, from the electron to the galaxy, from atomic force to gravitation. Crystal clear evidence is provided, for example, by the dancing of geostationary satellites or when satellites in polar orbit are blown away by the 'aether wind'.

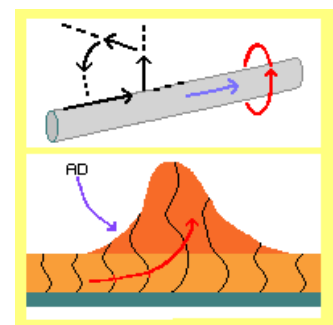
Aether-Elector-Technique

This new understanding of the background of all being could open up completely new insights in many fields of science. For example, practical electrical engineering works amazingly well. In fact, however, we do not really know what happens how and why. Many terms are only defined in circular reasoning. At best, there are model-like narratives. Only with knowledge of the real aether movements of electromagnetic phenomena can more effective solutions be developed.

I have developed approaches to this in my aether-electro technique. I was able to show plausible explanations for some well-known phenomena and 'unbelievable' experiments (charge, current and magnets, unipolar generator, railgun and ball-bearing effects, Tilley cone generator, capacitors, etc.). I was able to develop proposals for electric motors and generators to harness the free energy of the omnipresent ether movements.

As with my definition of the aether, I also set revolutionary axioms for electromagnetism: there are no positive particles, there are only (negative) electrons. There is no positive charge, there is only more or less (negative) charge. There is no force of attraction and no force of repulsion, there is only the general pressure of the Free Aether. This gives rise to new insights. The substantial nature of electric charge and current is only briefly explained here.

A charge really is build by structured aether-swinging. This motion pattern is pressed onto a material surface by general pressure of Free Aether. Its chaotic movements press down connected charges onto same level. The movement pattern of the charge is so stable in itself that it can never be pressed down completely.



A current arises when there is a voltage gradient between charges. The pattern of motion is superimposed by a left-forward component, resulting in the appearance of a current (although the aether itself never moves far forward). When the charges are equalized, the flow becomes weaker, ultimately zero.

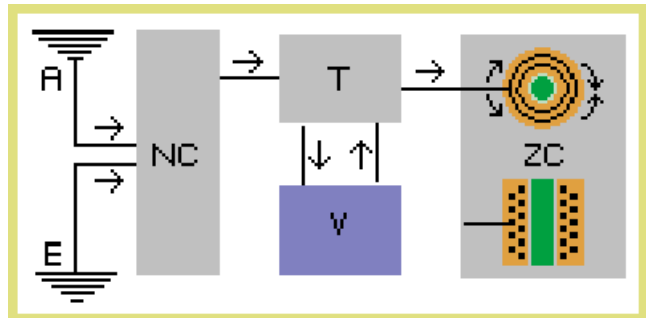
NIKOLA TESLA PIERCE ARROW

Due to solar radiation and atmospheric movements, there is practically unlimited electrical charge in the air and on/in the earth. In 1931, Nikola Tesla was able to demonstrate an autonomous car. 'Before many generations have passed ...' but obviously it was not understood ... or powerful people were / are powerful enough to establish the narrative of the 'non-makeable'. From my understanding of the aether, I would like to point out the source and sink of the energy used by Tesla (see the following sketch).



If a device (or this car) is connected to the earth (E), it has a 'normal' charge (NC) rather than no charge. Electromagnetic energy can be collected from the atmosphere (A) using known antenna technology. Normal voltage could also be transferred to higher voltage in various ways. With suitable measures (see website), static charge can always be kept in motion.

Tesla's key component produces zero charge (ZC), forming a sink of zero charge. In principle, this is achieved by feeding the current into a self-contained conductor (also with several windings). The similar patterns meet in opposite directions, adding up to zero aether movement in the short term. The Free Aether pushes both currents together into this 'motion void'. Their previous structure is eliminated, leaving only Free Aether.



To start the system, the initial normal charge must be removed. To do this, Tesla pushed a piece of wood into the box and thus a magnet through the air coil. The generated currents are eliminated in the counter-rotating windings (applied twice for alternating current).

The special thing about this is that the sink does not fill up. From the opening to the closing of a switch, the current can flow uninhibited. It is advantageous if the charge is already rotating continuously in the intermediate storage (NC) (see my suggestion of an electric ring generator).

A capacitor cascade can also be used to send a short and violent current surge through the transformer (T) and supply the consumer (V). The Free Aether pushes the storage tank almost empty so that energy from the environment can fall into the system again in the next phase.

The law of energy constancy is maintained: natural radiation / charge is destroyed in the sink, usable energy is generated in the transformer and transferred to another form in the consumer. Ultimately, Tesla used freely available 'radiations', i.e. electromagnetic vortex systems of the aether environment, which are permanently recharged (directly or indirectly) by the sun. Tesla - a real alternative.

The above axioms and considerations about the aether and electromagnetism may seem strange. On the other hand, the known understanding of physics in past generations could not unravel the mystery of Tesla's drive. Every new and different approach offers greater opportunities for the current energy problem. Until now, the focus has been on the 'production' of electricity. Now its 'elimination' is the primary task. The aim is to develop the best construction variants for this energy sink.

Evert/2024-12-31